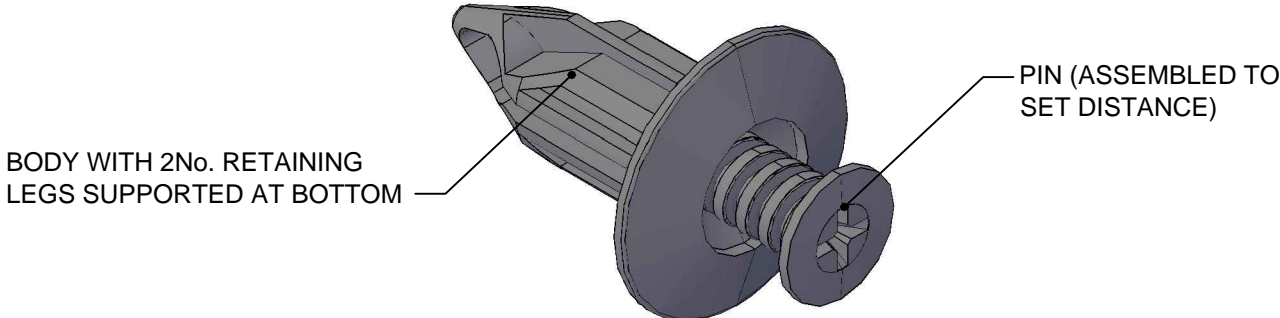
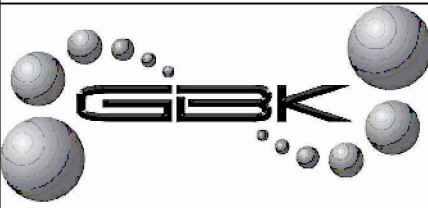


NOTES:
 COMPONENT IS ROHS COMPLIANT
 PIN IS PRE-ASSEMBLED INTO BODY.
 PUSH TO SET, UNSCREW TO REMOVE.



HOLE SIZE	PANEL RANGE		BODY HEAD	BODY HEAD HEIGHT	BODY/PIN HEAD HEIGHT	INTRUSION LENGTH
	MIN	MAX				
11Ø	6	9	18Ø	2.6	2.8	25

ISSUE	DATE	SIG	REMARKS
1	23/12/11	MIC	FIRST ISSUE



email: info@gbk-uk.com
 web: www.gbk-uk.com

TOLERANCES
 X 0.50
 X.X 0.25
 X.XX 0.10
 ANGLES 0.25°
 UNLESS OTHERWISE STATED

ALL DIMENSIONS IN mm

THIRD ANGLE PROJECTION

DO NOT SCALE FROM DRAWING,
 IF IN DOUBT PLEASE ASK!

MATERIAL	PA66
COLOUR	BLACK
SCALE	2:1 @ A4
DRAWN	MIC
DATE	23/12/11
SHEET	1 OF 1

© GBK UK Limited
 THESE DRAWINGS AND THE SPECIFICATIONS, AND THE DATA CONTAINED THEREIN ARE THE PROPERTY OF GBK UK LIMITED, ISSUED IN STRICT CONFIDENCE AND SHALL NOT WITHOUT PRIOR WRITTEN PERMISSION OF GBK UK LIMITED BE PRODUCED, COPIED OR USED FOR ANY PURPOSE WHATSOEVER, EXCEPT THE MANUFACTURE OR ARTICLES FOR GBK UK LIMITED.

DESCRIPTION	DRAWING No.
SCREW RIVET	42023